



Countywide Services Agency

Environmental Management  
Department

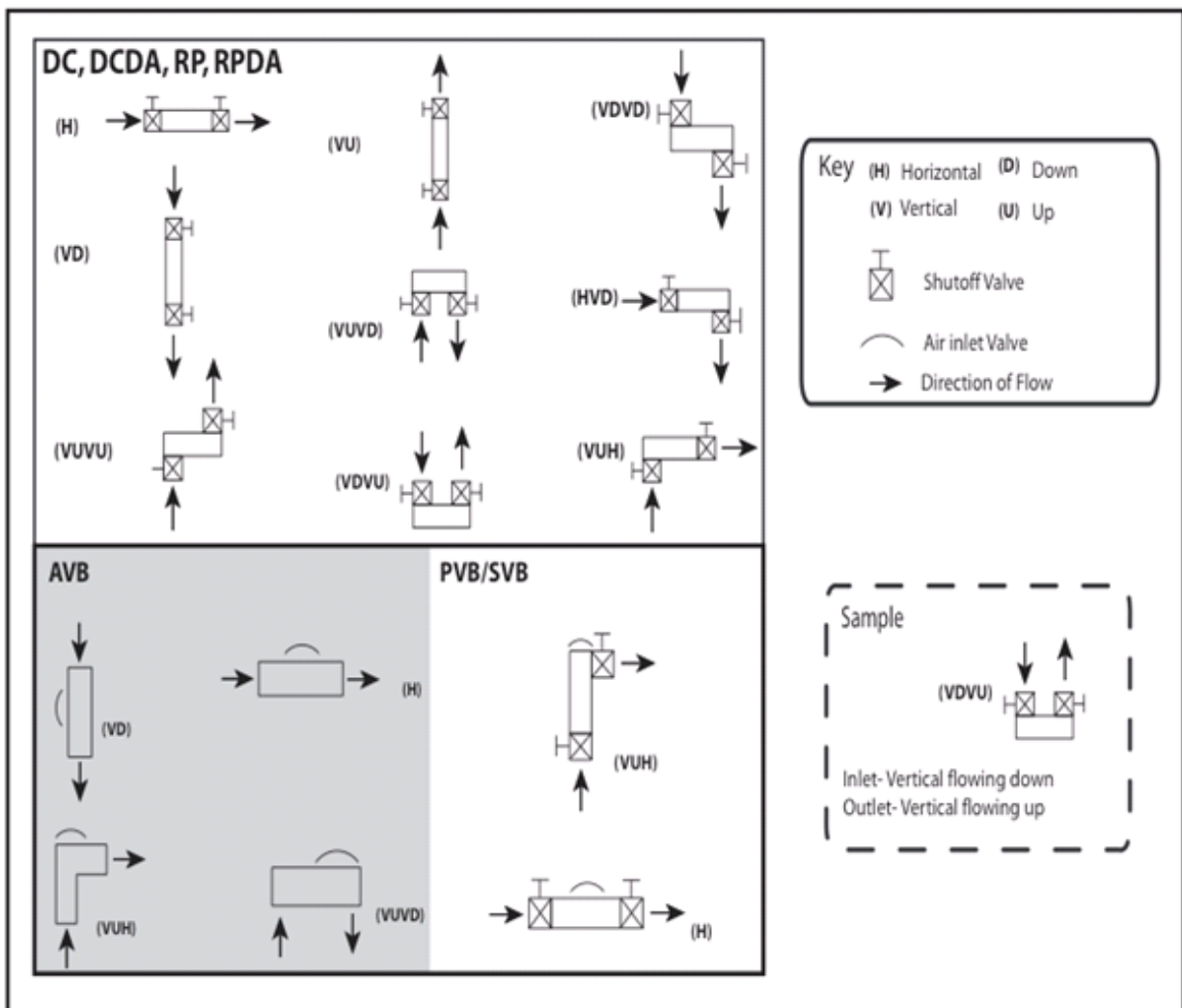
Environmental Compliance  
Division

Dennis Green, Chief

Terry Schutten, County Executive  
Jim Hunt, Acting Agency Administrator  
Val F. Siebal, Department Director

## County of Sacramento

### ORIENTATION KEY FOR BACKFLOW DEVICE INSTALLATION



SE 04/09/2009 W:\Data\FORMSARCHIVE\WP NEW\CROSS CONNECTION\BACKFLOW ORIENTATION KEY FOR INSTALL.doc